

WEIGHT CAPACITY
50 kg

RADIUS
5000 mm

PRESSURE
0.7-0.8 Mpa

VERTICAL LIFT
1800 mm

POWER SUPPLY
**415 V 50 Hz
3 Phase IP 55**

VERSIONS
COLUMN
FIXED OVERHEAD
RUNNING OVERHEAD

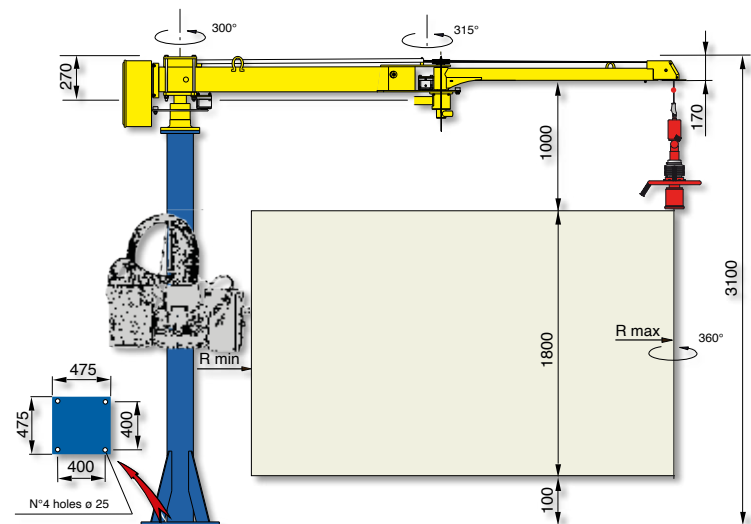
Pneumatic Manipulator **POSIFIL PF** with double cable

The POSIFIL Manipulator, equipped with electrical turbine vacuum pump, allows the handling of paper and plastic bags, cardboard boxes, rubber bales, drums etc. using standard or customized suction cups according to the applications.

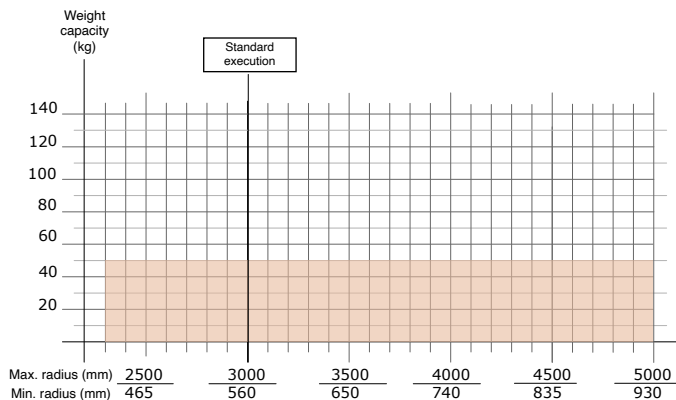
The technical features of Posifil remain unchanged and it is manufactured in column mounted version, fixed and running overhead version.

POSIFIL[®] - PF BAGS

Posifil bags column mounted - PFC



Structural versions: column mounted on fixed base-plate, autostable base-plate of our supply properly dimensioned.

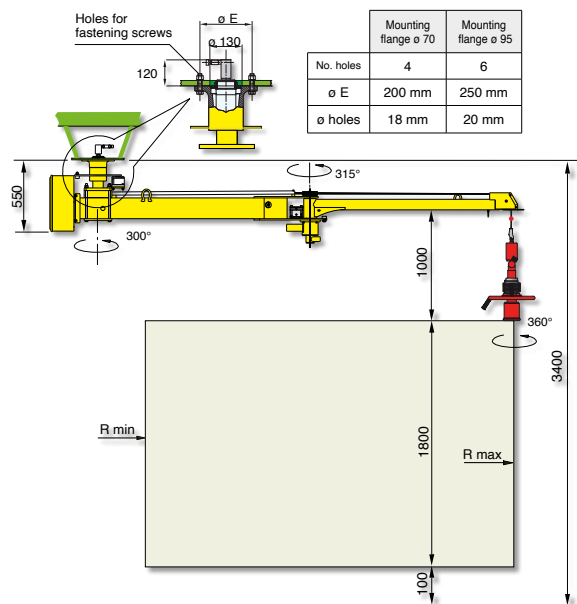


The electrical turbine vacuum pump, with relative control panel and, if necessary, with filtering system, can be placed separately from the Manipulator, in a dedicated area, considering a distance of no more than 10 meters.

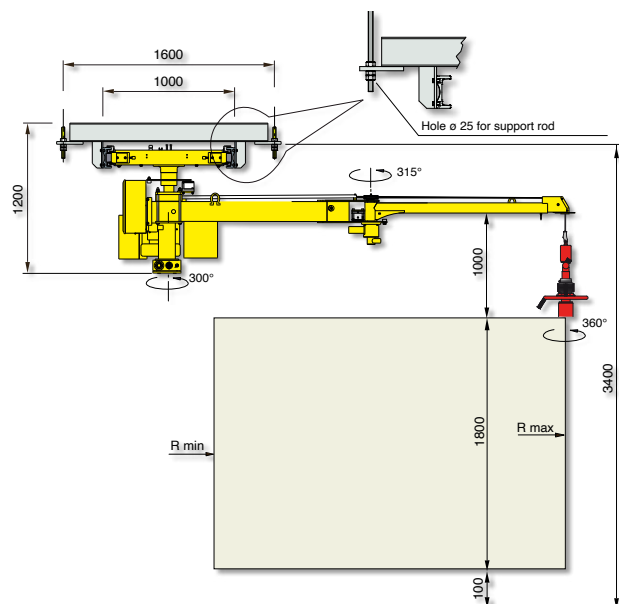
Configuration and measurements may change upon the Customer's specific requirements

Posifil bags

fixed overhead - PFF



running overhead - PFS



Air supply: dry and oil-free compressed air min. constant 0.7-0.8 MPa